



## Custom Tray Design & Quote Order Form

### Square Stomach Cutout

Date \_\_\_\_\_

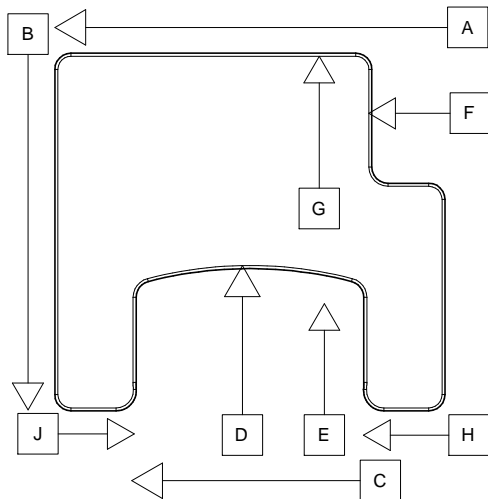
Company Name \_\_\_\_\_ PO# \_\_\_\_\_

Quote # \_\_\_\_\_

Contact Person \_\_\_\_\_ Phone # \_\_\_\_\_

Fax # \_\_\_\_\_

Square Stomach Cutout



Use the corresponding letters to design, receive a quote or order a custom tray. Add any additional dimensions or requirements you may have to the design.

A= \_\_\_\_\_ E= \_\_\_\_\_

B= \_\_\_\_\_ F= \_\_\_\_\_ (R,L)

C= \_\_\_\_\_ G= \_\_\_\_\_ (R,L)

D= \_\_\_\_\_ H= \_\_\_\_\_

J= \_\_\_\_\_

Note: If specifying joystick cutout (F&G), specify right (R) or left (L) cutout after the dimensions. (Right hand cutout shown)

Additional Requirements or Info:

Material:

Custom Logo  
(Customer Supplied file)

Other:

All custom trays are individually quoted and are provided without rim and mounting hardware. Choose from the following mounting and attachment options:

P/N	Description	QTY
KH	Knob Hardware	___
ZSlides1.000B	Z-Slides 1" Clearance	___
ZSlides1.250B	Z-Slides 1.250" Clearance	___
ZSlides1.500B	Z-Slides 1.500" Clearance	___
TC	Toggle Clamps	___
VC	Velcro Straps	___
TS	Tray Straps	___
R	Rim	___



Custom Tray Design & Quote Order Form  
Round Stomach Cutout

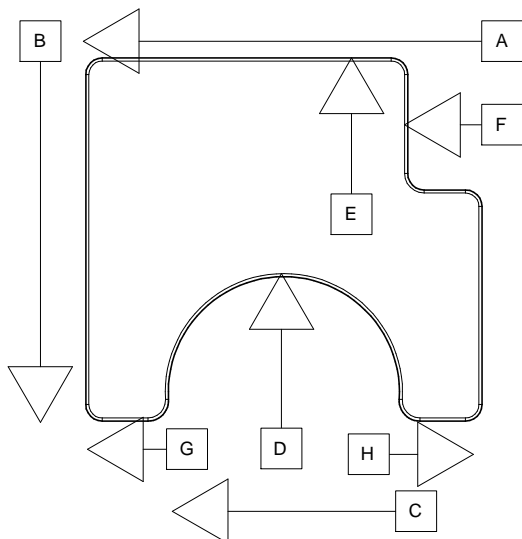
Date \_\_\_\_\_

Company Name \_\_\_\_\_ PO # \_\_\_\_\_ Quote # \_\_\_\_\_

Contact Person \_\_\_\_\_ Phone# \_\_\_\_\_

Fax # \_\_\_\_\_

Round Stomach Cutout



Use the corresponding letters to design, receive a quote or order a custom tray. Add any additional dimensions or requirements you may have to the design

A= \_\_\_\_\_ E= \_\_\_\_\_ (R,L)

B= \_\_\_\_\_ F= \_\_\_\_\_ (R,L)

C= \_\_\_\_\_ G= \_\_\_\_\_

D= \_\_\_\_\_ H = \_\_\_\_\_

Note: If specifying joystick cutout (E & F), specify right (R) or left (L) cutout after the dimensions. (Right hand cutout shown.)

Additional Requirements or Info:

Material:

Custom Logo  
(Customer Supplied file)

Other:

All custom trays are individually quoted and are provided without rim and mounting hardware. Choose from the following mounting and attachment options:

<u>P/N</u>	<u>Description</u>	<u>QTY</u>
KH	Knob Hardware	___
ZSlides1.000B	Z-Slides 1" Clearance	___
ZSlides1.250B	Z-Slides 1.250" Clearance	___
ZSlides1.500B	Z-Slides 1.500" Clearance	___
TC	Toggle Clamps	___
VC	Velcro Straps	___
TS	Tray Straps	___
R	Rim	___